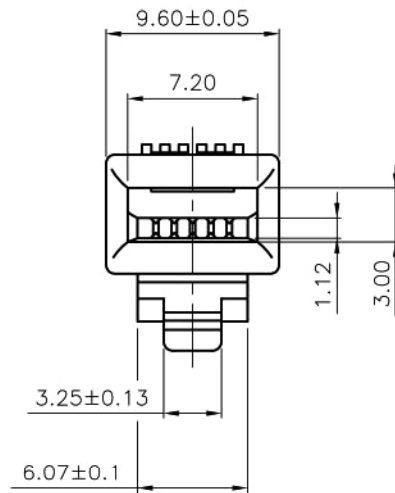
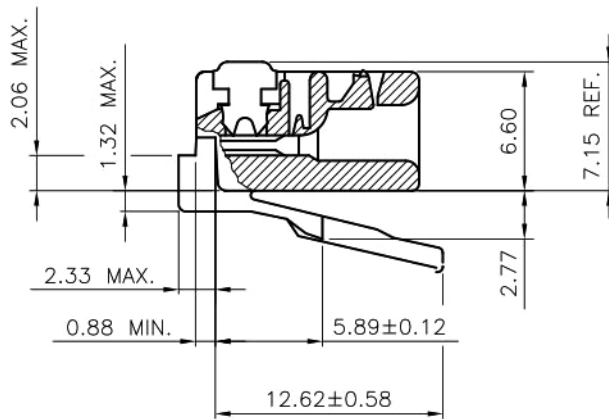
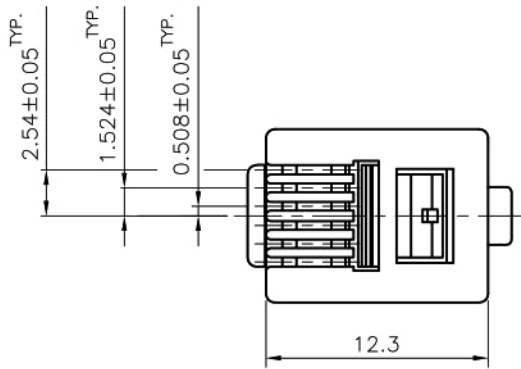
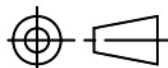


NOTES :

1. MATERIAL-HOUSING : POLYCARBONATE UL 94-V0 OR 94-V2, CLEAR.
-CONTACTS : PHOSPHOR BRONZE 0.35 THK.
2. PLATE-GOLD PLATED ON CONTACT AREA OVER 100 MICRINCH MIN. NICKEL UNDERPLATE OVERALL.
3. WITH OR WITHOUT LOGO.



X.±	X°.±	UNITS MM	NAME		Shallin Electronics Co., Ltd.				
.X± 0.15	.X±	MAT'L SEE NOTES	X98066		TITLE 6P6C MODULAR PLUG FOR FLAT OVAL CABLE				
.XX± 0.1	.XX±	FINISH ----	PART No. SEE ORD. INF.		DWG No. X98066				
.XXX±	.XXX±	TREAT ----	APPD P. W. LIAO	DATE 03/09/'07		SCALE	SHEET	REV.	
THESE DRAWINGS AND SPECIFICATIONS ARE THE PROPERTY OF SIN CHIN CO., LTD. AND SHALL NOT BE REPRODUCED COPIED OR USED IN ANY MANNER WITHOUT THE PRIOR WRITTEN CONSENT OF SIN CHIN CO., LTD.		Q'TY	DR W. J. WU	DATE 03/09/'07		N/A	A4	1/1	A